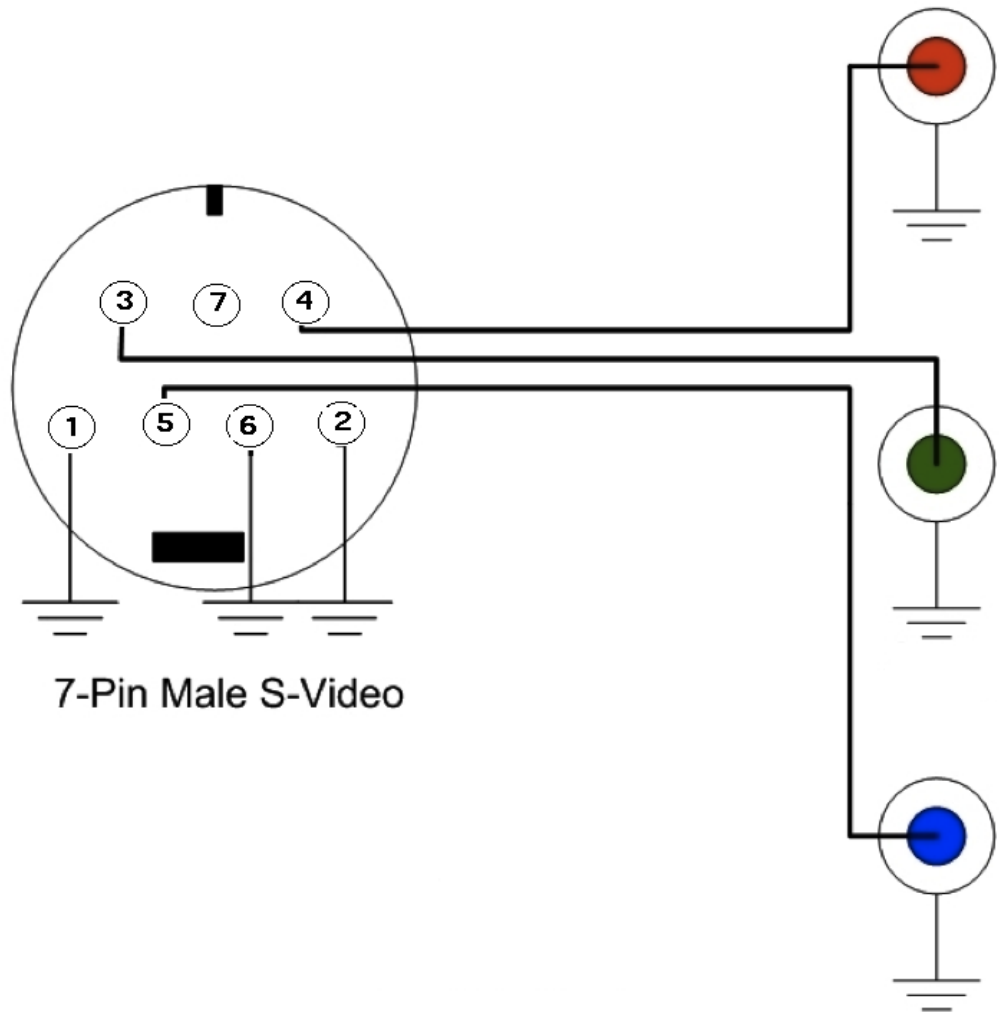


## DMP-4xxx S-Video to Component Video Cable Pin Out

1	Ground
2	Ground
3	Luma (Y)
	Horizontal Sync
	Vertical Sync
4	Pr (R – Y)
5*	Pb (B – Y)
6	Ground
7	N/C

\*Use this lead for composite video when DMP is configured for COMPOSITE video output & there is not a yellow CVBS jack on the DMP.



Available From Computer Discount Warehouse (CDW):

Part #: CDW-NEW-ITEM /Tripplite Custom C001-06N-A TRIPP  
Description: 6IN 7PIN MALE S-VIDEO 3X RCA F