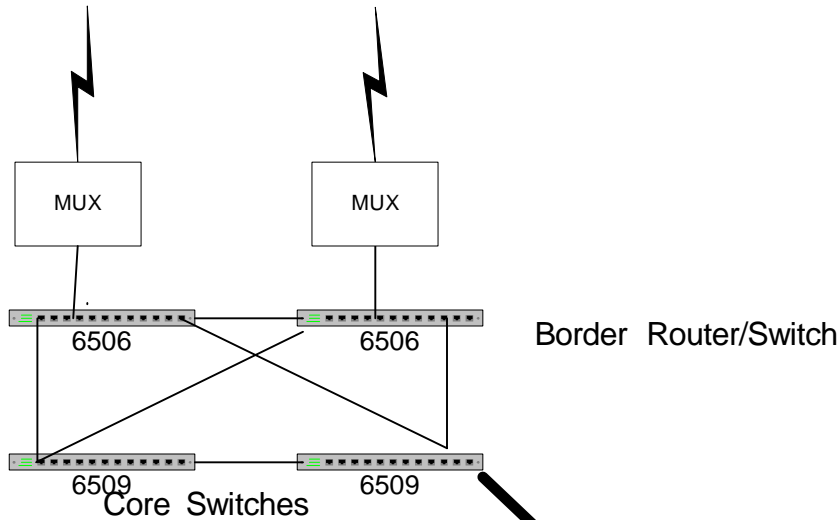


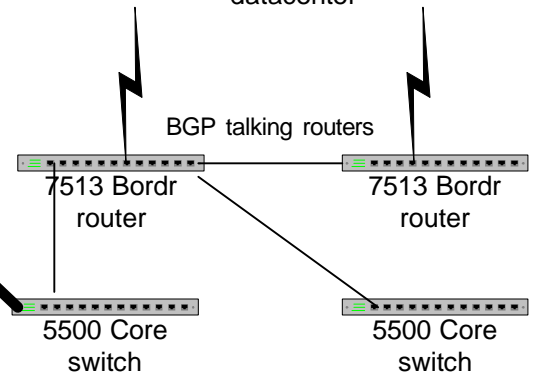
New Setup

Ethernet gigabit handoff WAN links to datacenter



Old / Current setup

OC-3 to Internet through Verizon and then to our datacenter



we want a trunk here

this is to keep one OC3 operational until the second ethernet gigabit become available

I believe EIGRP has been used here as IGP

These switches are RJ-21 connectors/blades currently core are doing EIGRP as IGP and borders are doing BGP with provider over two OC-3 circuits this new infrastructure will have two Ethernet gigabit connection to our datacenter replacing the OC-3 circuits but since one Ethernet gigabit won't become available, they need to keep the old infrastructure in place and use one of the OC3s until the second Ethernet gigabit circuit arrives