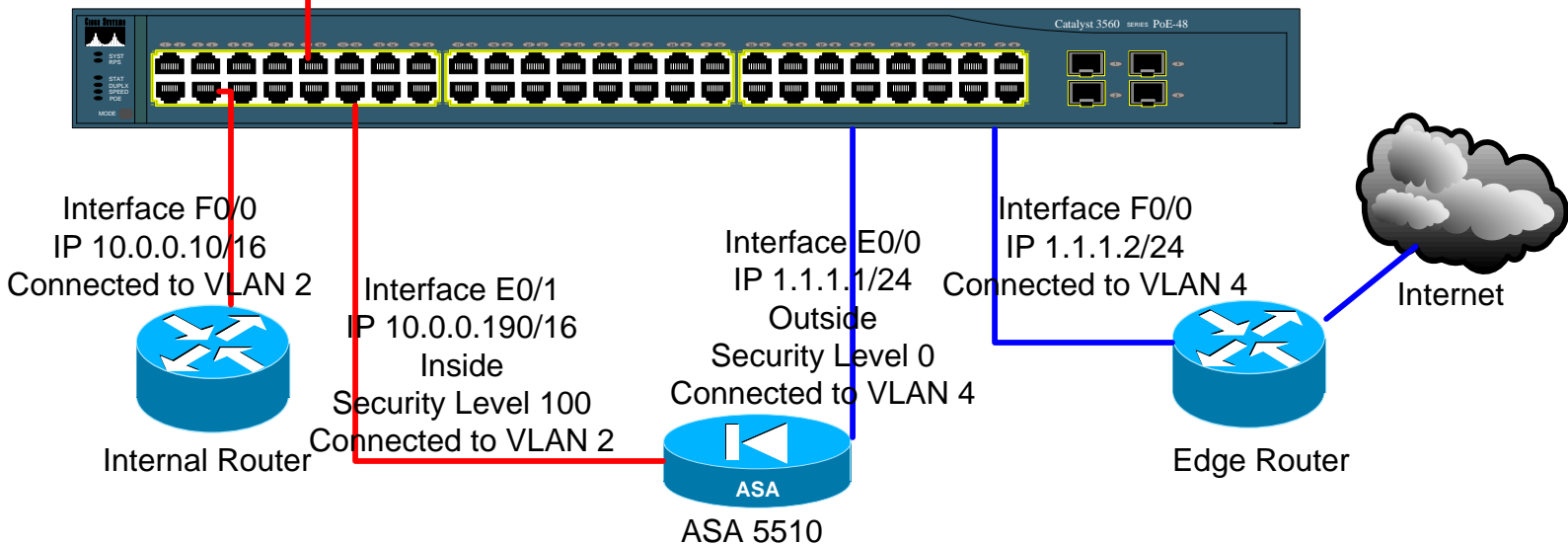
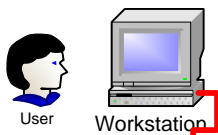


IP Config for User
 IP Address: 10.0.0.20
 Mask: 255.255.0.0
 Default Gateway: 10.0.0.190
 Connected to VLAN 2 of Switch



Internal Router config

Interface loopback 0

Description simulating production internal nets

Ip address 10.1.101.1 255.255.255.0

Interface loopback 1

Description simulating production internal nets

Ip address 10.2.0.1 255.255.0.0

Router eigrp 100

Network 10.0.0.0 0.0.255.255

Network 10.2.0.0 0.0.255.255

Network 10.1.101.0 0.0.0.255

ASA 5510 config

Nat (inside) 10 10.0.0.0 255.255.0.0

Nat (inside) 10 10.1.101.0 255.255.255.0

Global (outside) 10 interface

Route outside 0 0 1.1.1.2 1

Router eigrp 100

Network 10.0.0.0 255.255.0.0

Network 10.2.0.0 255.255.0.0

Network 10.1.101.0 255.255.255.0

Nat (inside) 0 access-list nonat

Access-list nonat permit ip 10.0.0.0 255.255.0.0 10.1.101.0 255.255.255.0

Access-list nonat permit ip 10.0.0.0 255.255.0.0 10.2.0.0 255.255.0.0