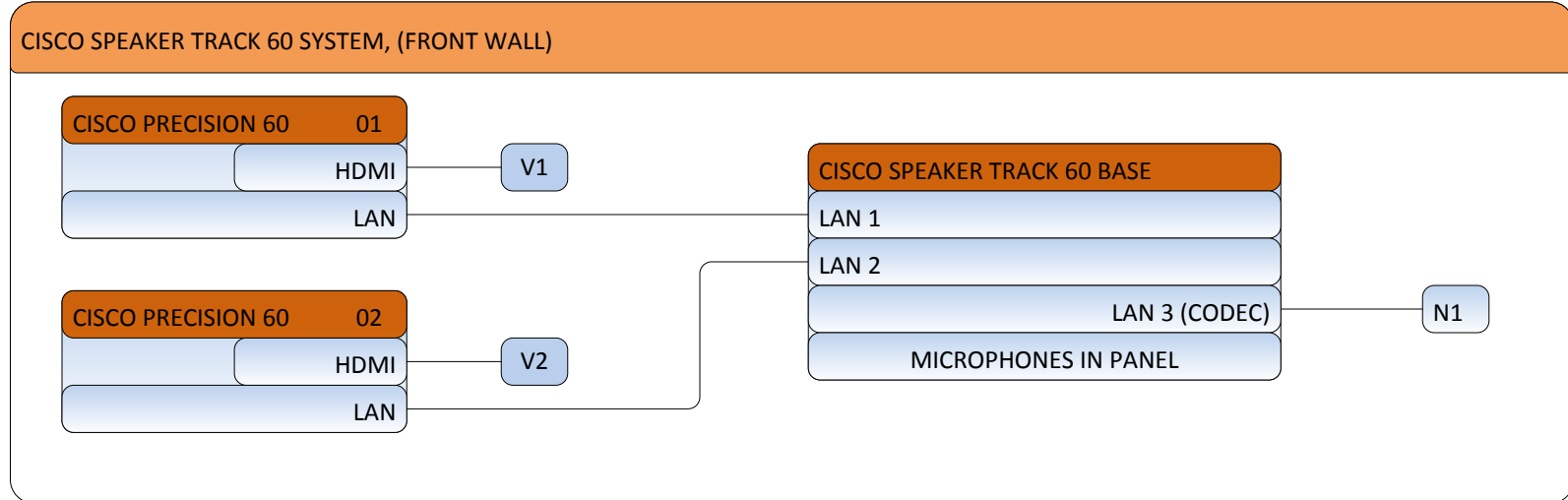
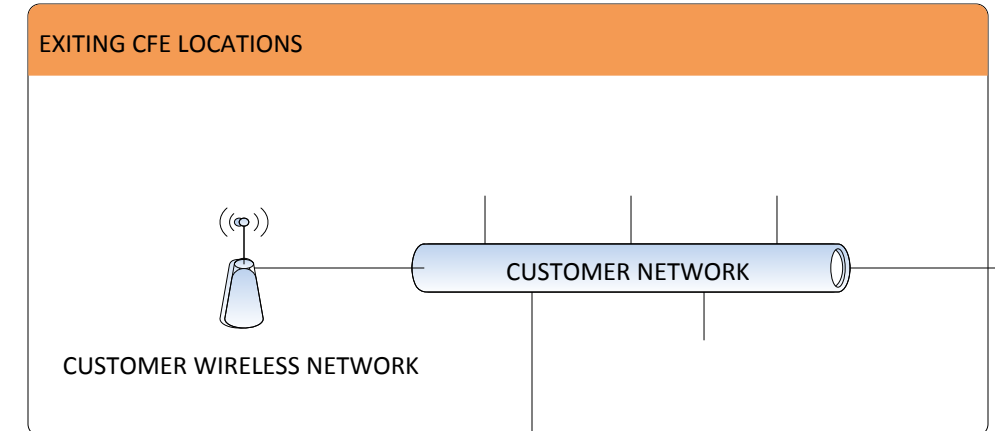
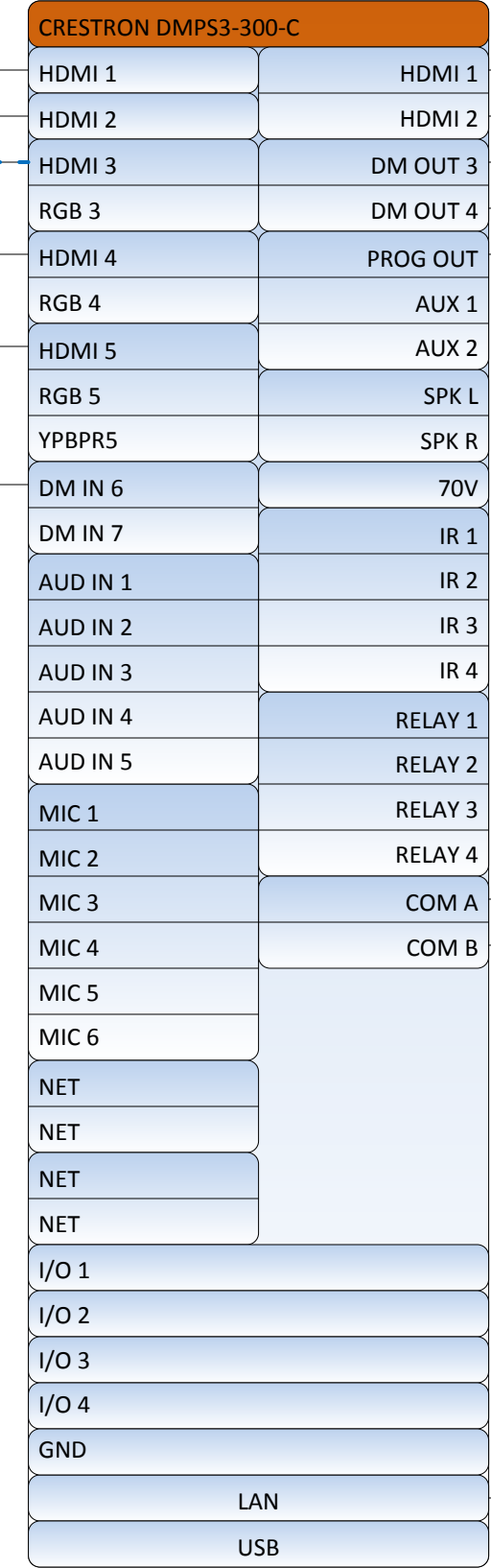
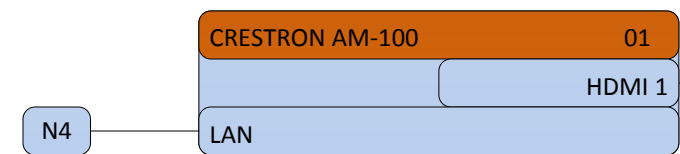
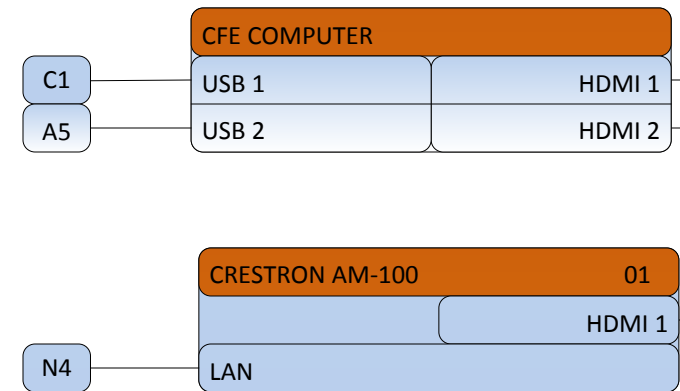
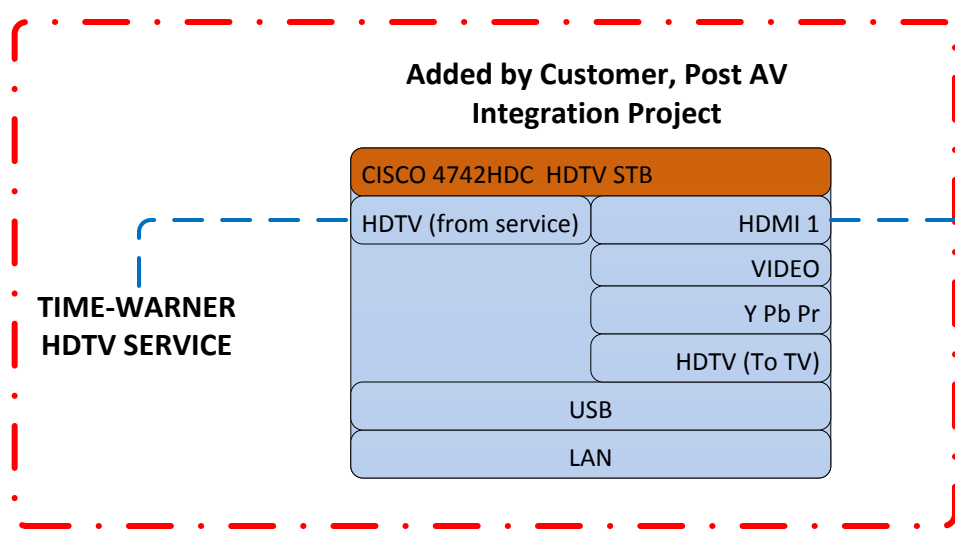
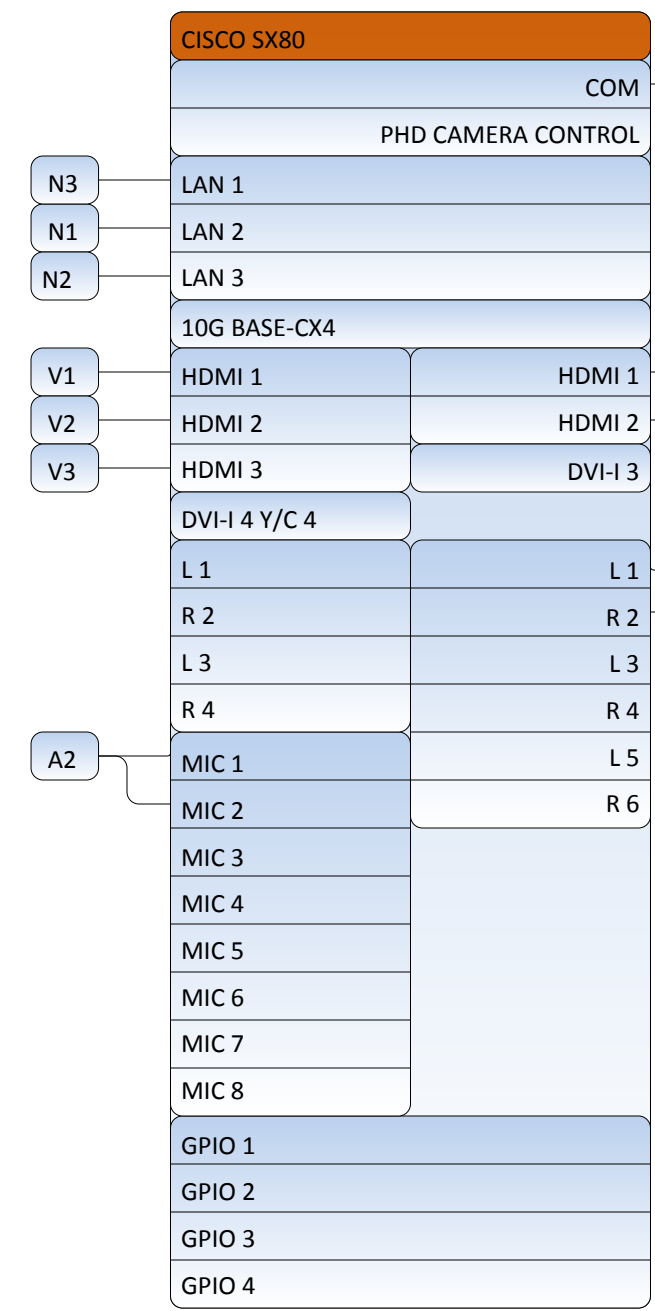


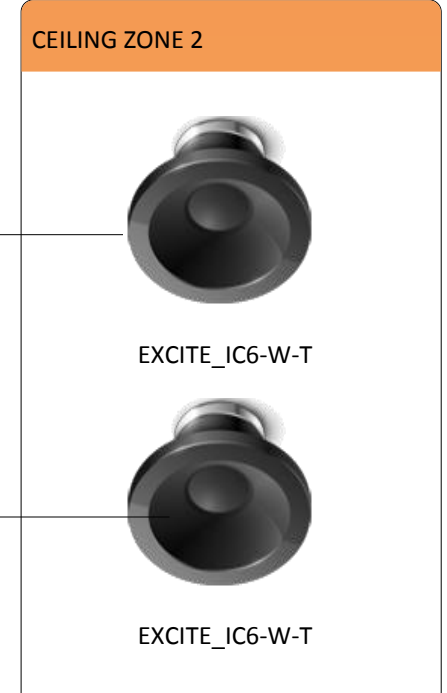
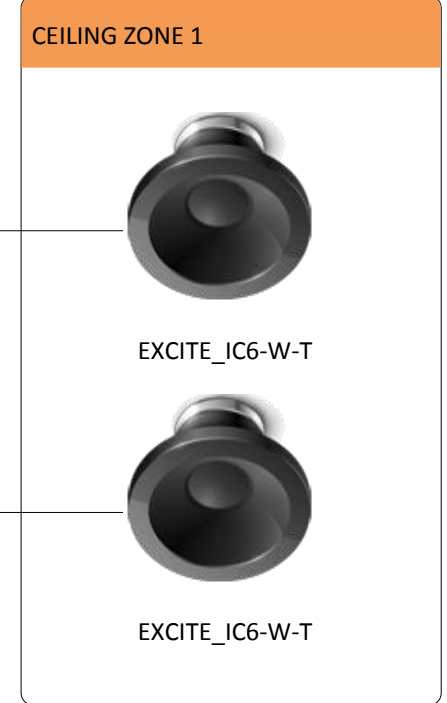
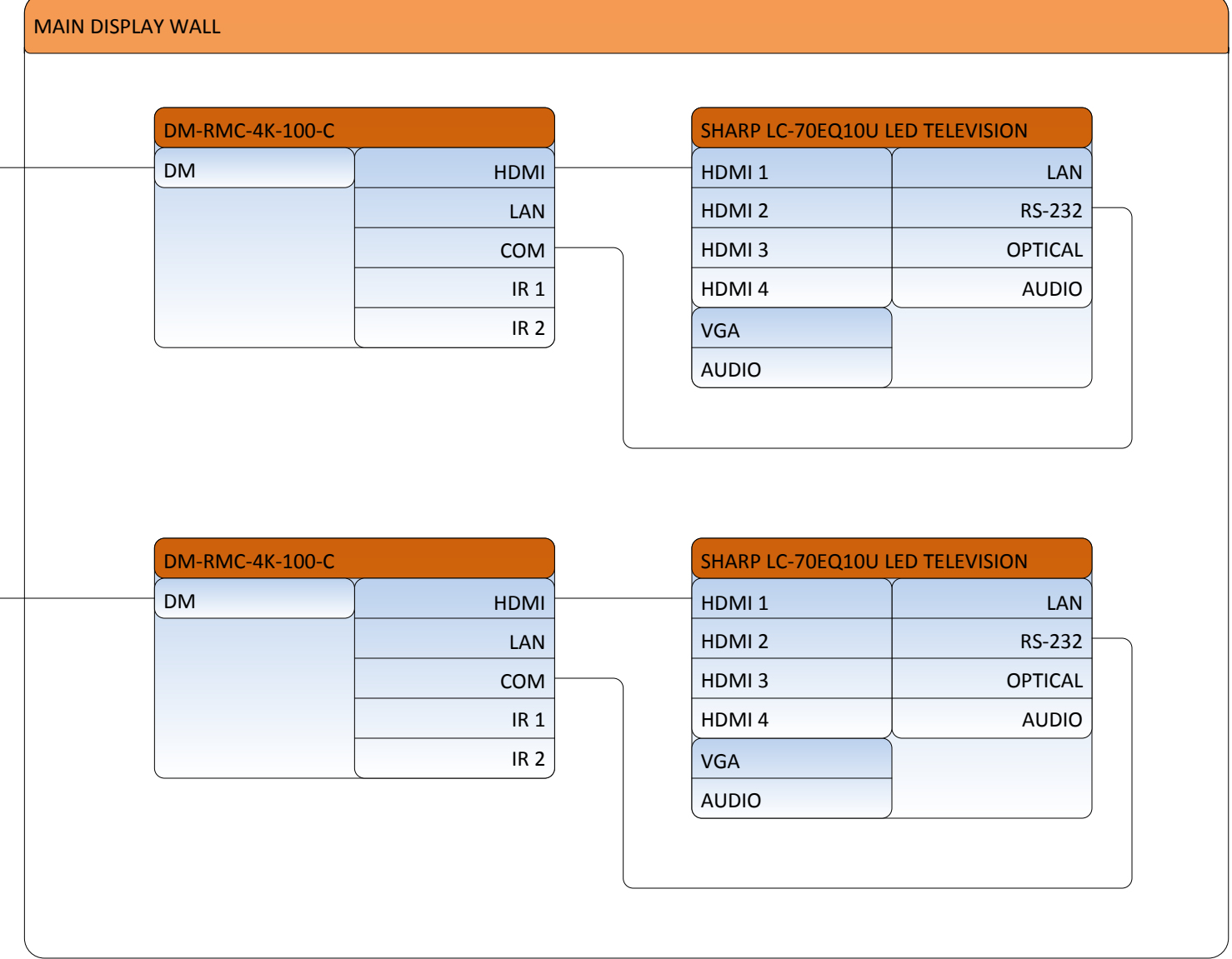
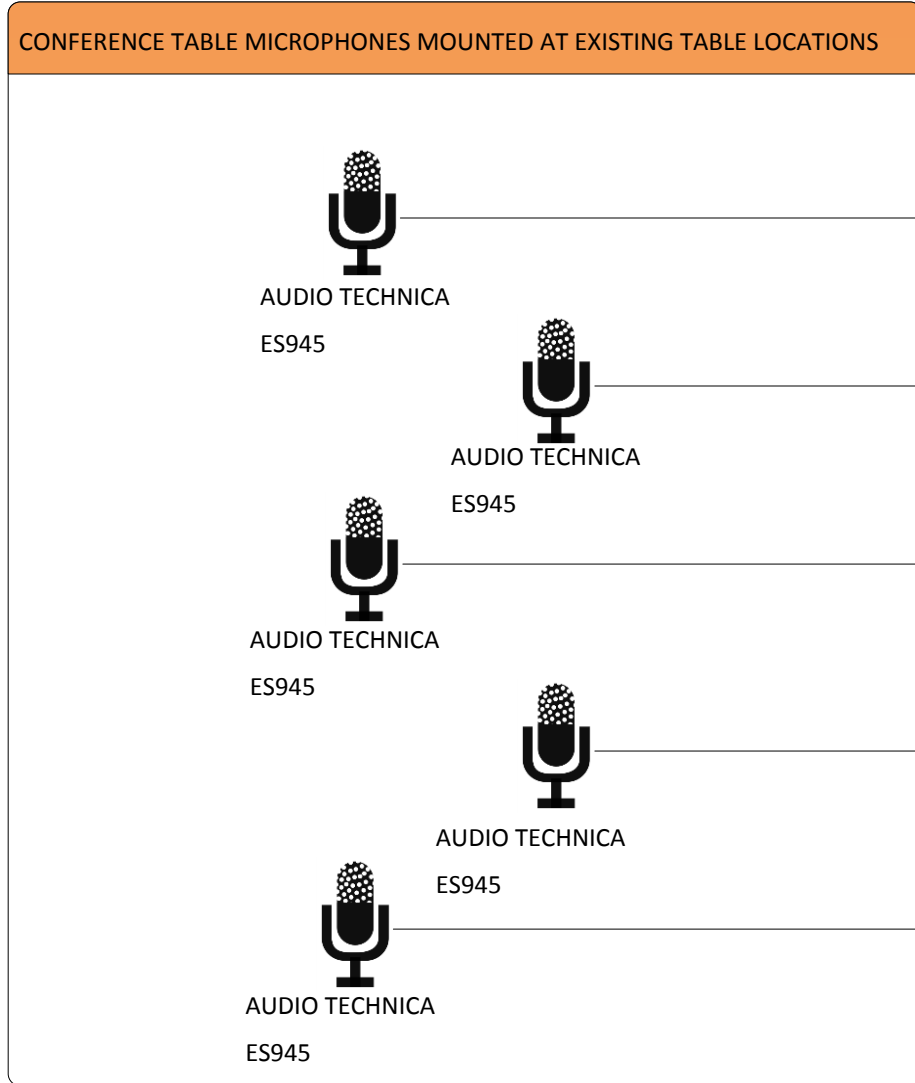
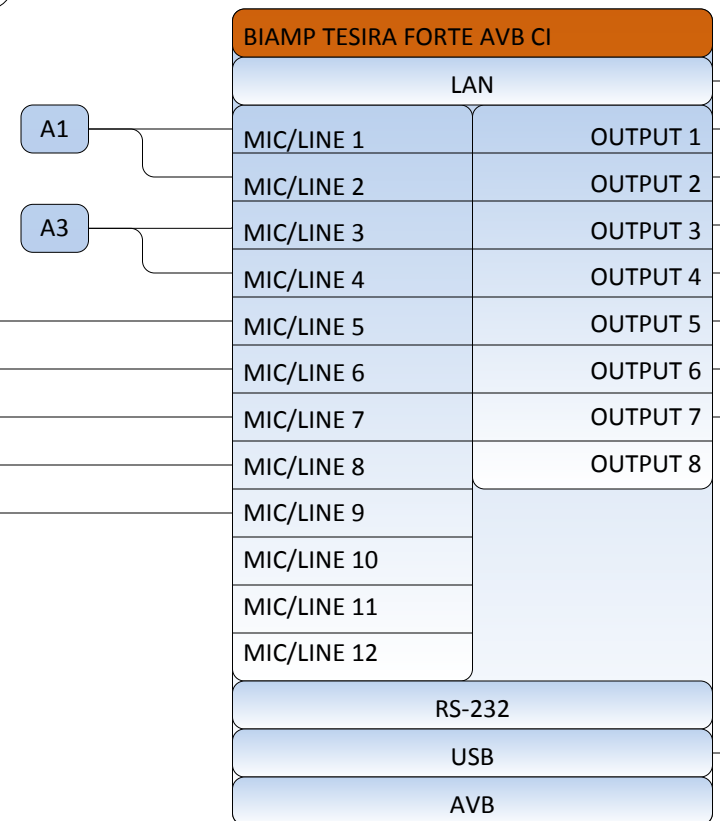
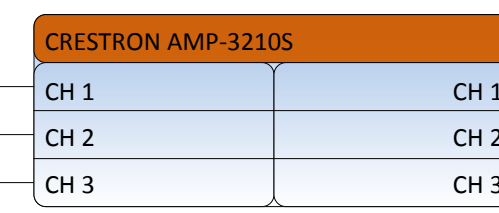
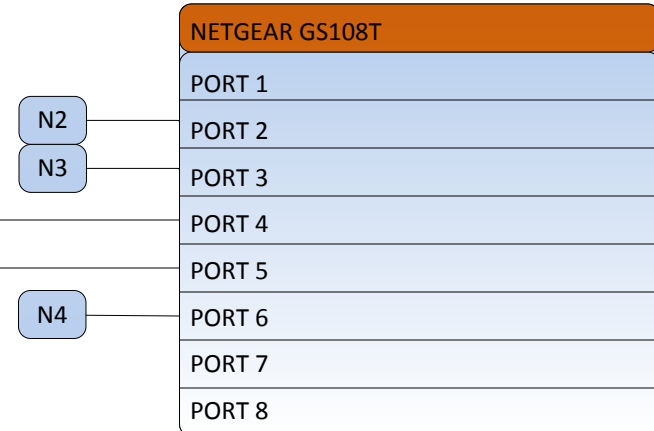
**NOTE: THIS EQUIPMENT IS LOCATED IN EQUIPMENT RACK UNLESS OTHERWISE NOTED**



**NOTE: On 6/18, Customer requested this connection be eliminated from the as built integration due to corporate IT security policy.**



**NOTE: On 6/18, Customer requested this connection be eliminated from the as built integration due to corporate IT security policy.**



**NOTE: WIRE ALL SPEAKERS IN PARALLEL TO ACHIEVE A 4 OHM LOAD**

**FINAL**